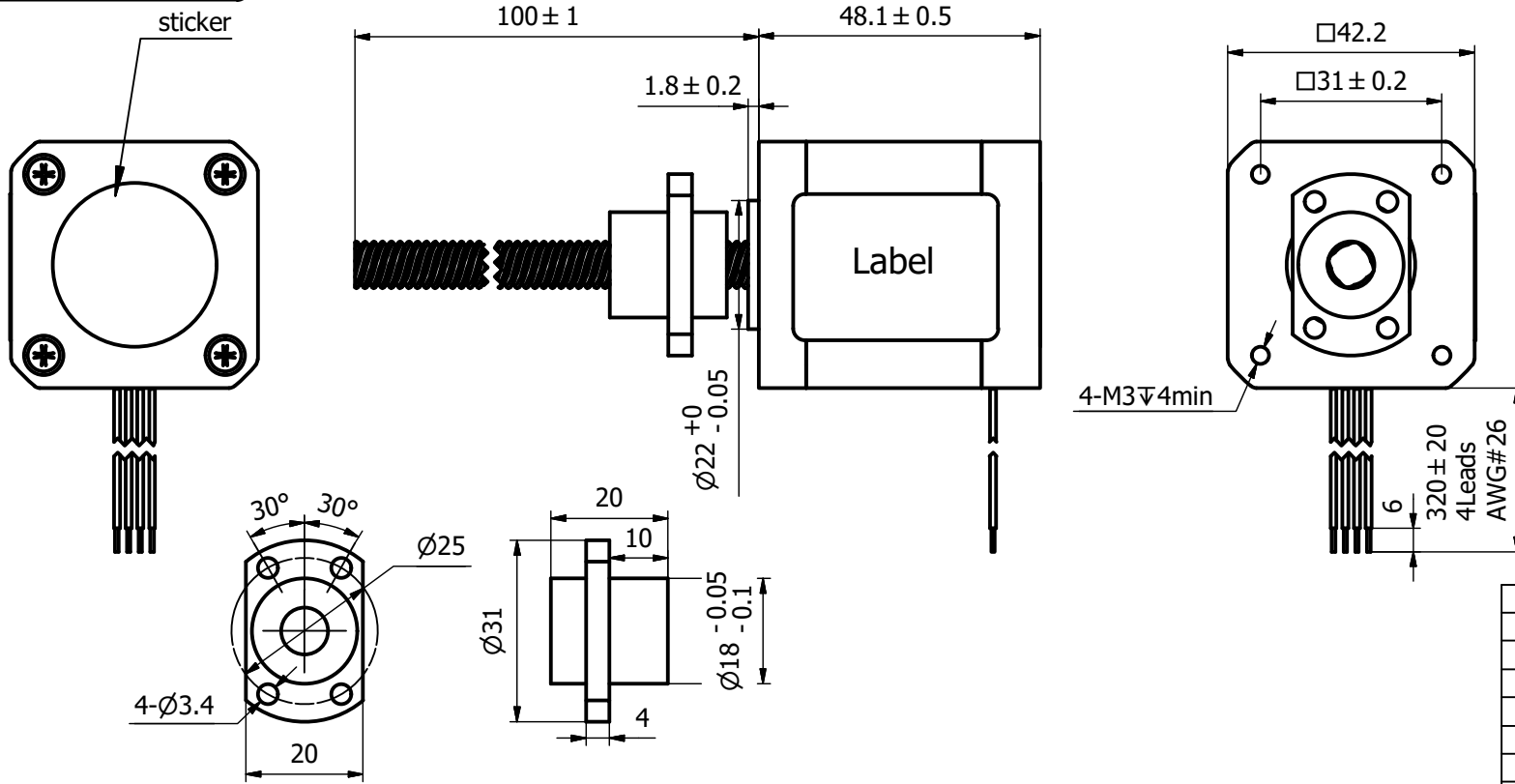


CE
 RoHS
 17E2225BS84-100
 DINGS' MOTION
 Work order
 DATE REV00

REVISION			
REV.	DATE	DESCRIPTION	DRAWN BY



Motor's phase	2
Step angle	1.8°
Rated current/phase	2.5 A
Resistance/phase	1.0Ω±10%
Inductance/phase	1.8mH±20%
Linear travel per step	0.04mm/step
Ball screw diameter	Φ8.0mm
Ball screw lead	8.0mm
Grade	C7(KSS)
Insulation class	B
Insulation resistance	100MΩ(500VDC)
Heat rise	80°C
Motor weight	0.386 kg

Notes,
 1.To maximize output force and life of linear actuators,
 radial load on lead screws should be avoided or be kept at a minimum.

CUSTOMER		NOTICE TO PERSONS RECEIVING THIS DRAWING															
WIRING CHART		EXCITATION SEQUENCE				UNLESS OTHERWISE SPECIFIED ALL DIMENSIONS ARE IN MILLIMETERS AND TOLERANCES ARE AS BELOW PER ISO2768-ck.				DRAWN		QIN		DATE		2022/12/28	
		CW → Red A+ + - Red/wht A- - + Green B+ + - Grn/wht B- - + CCW ←				LINEAR		ANGULAR		APPRVD		DATE		DATE			
						0~3 ±0.2		0~10 ±1.5°		MODEL		17E2225BS84-100		SIZE		A3 SHEET 1 OF 1	
						3~6 ±0.5		10~50 ±1°						SCALE		1: 1 REV 00	
						6~30 ±0.8		50~120 ±30'									
						30~120 ±1.5		120~400 ±15'									