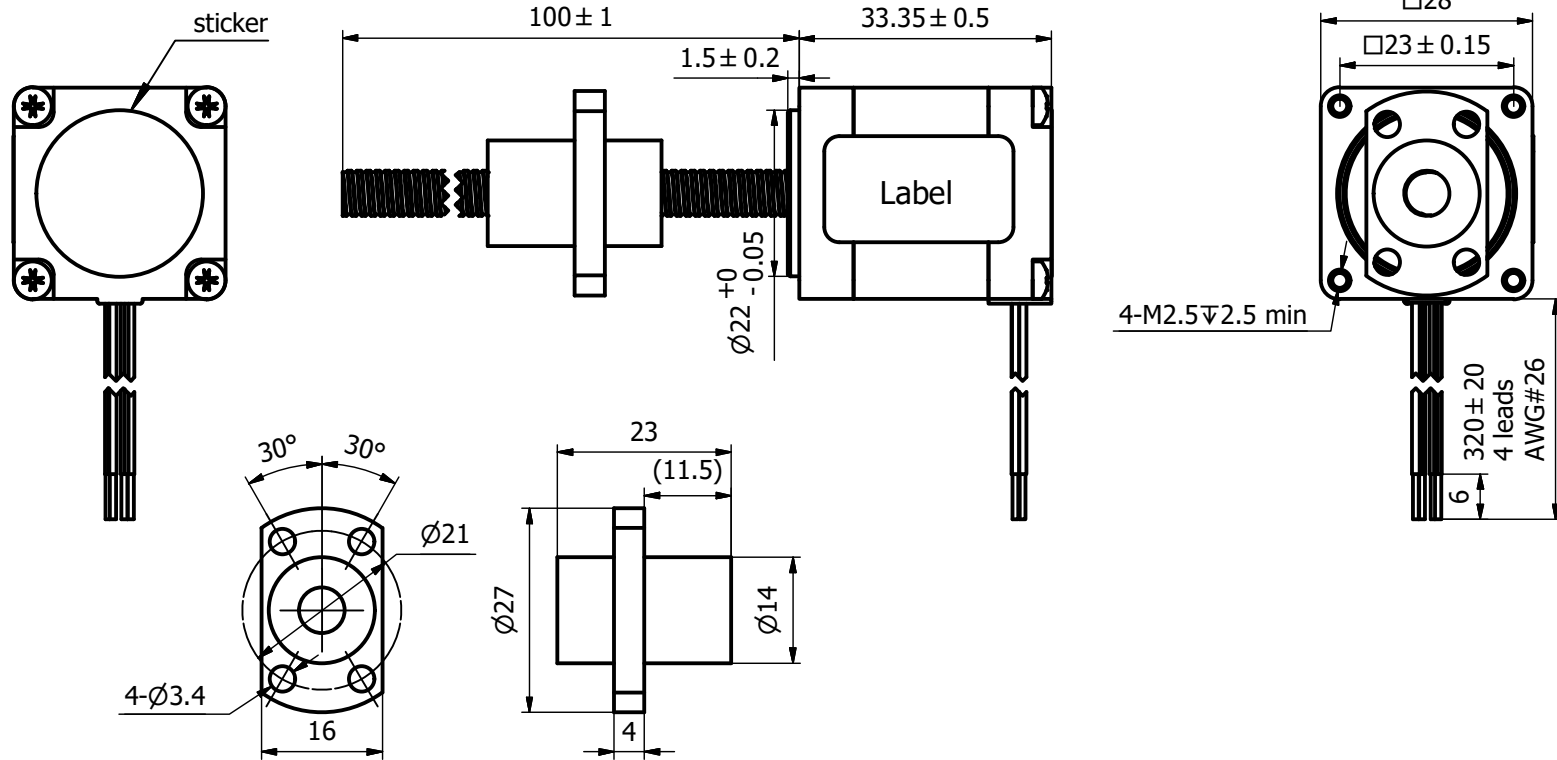


CE 11E2110BS104-100  
 DINGS' MOTION  
 RoHS Work order  
 DATE REV00

| REVISION |      |             |          |
|----------|------|-------------|----------|
| REV.     | DATE | DESCRIPTION | DRAWN BY |



|                        |               |
|------------------------|---------------|
| Motor's phase          | 2             |
| Step angle             | 1.8°          |
| Rated current/phase    | 1.0 A         |
| Resistance/phase       | 2.1Ω±10%      |
| Inductance/phase       | 1.5 mH±20%    |
| Linear travel per step | 0.05mm/step   |
| Ball screw diameter    | Φ6mm          |
| Ball screw lead        | 10.0mm        |
| Grade                  | C7(KSS)       |
| Insulation class       | B             |
| Insulation resistance  | 100MΩ(500VDC) |
| Heat rise              | 80°C          |
| Motor weight           | 0.12 kg       |

**Notes,**  
 1. To maximize output force and life of linear actuators,  
 radial load on lead screws should be avoided or be kept at a minimum.

| CUSTOMER  |  | NOTICE TO PERSONS RECEIVING THIS DRAWING |  |             |  |  |  |                             |  |                      |  |
|---|--|--|--|-------------|--|--|--|-----------------------------|--|----------------------|--|
| WIRING CHART<br>  |  | EXCITING SEQUENCE                        |  |             |  | UNLESS OTHERWISE SPECIFIED ALL DIMENSIONS ARE IN MILLIMETERS AND TOLERANCES ARE AS BELOW PER ISO2768-ck. |  | DRAWN Galen DATE 2022/12/28 |  |                      |  |
|   |  | CW →                                     |  | LINEAR      |  | ANGULAR  |  | APPRVD                      |  |                      |  |
| Red A+<br>Red/wht A-<br>Green B+<br>Grn/wht B-<br>CCW ← |  | + -                                      |  | 0~3 ±0.2    |  | 0~10 ±1.5°   |  | MODEL 11E2110BS104-100      |  | SIZE A3 SHEET 1 OF 1 |  |
|   |  | - +                                      |  | 3~6 ±0.5    |  | 10~50 ±1°  |  |                             |  | SCALE 1: 1 REV 00    |  |
|   |  | + -                                      |  | 6~30 ±0.8   |  | 50~120 ±30'  |  |                             |  |                      |  |
|   |  | - +                                      |  | 30~120 ±1.5 |  | 120~400 ±15'   |  |                             |  |                      |  |