

1

2

3

4

5

6

7

8

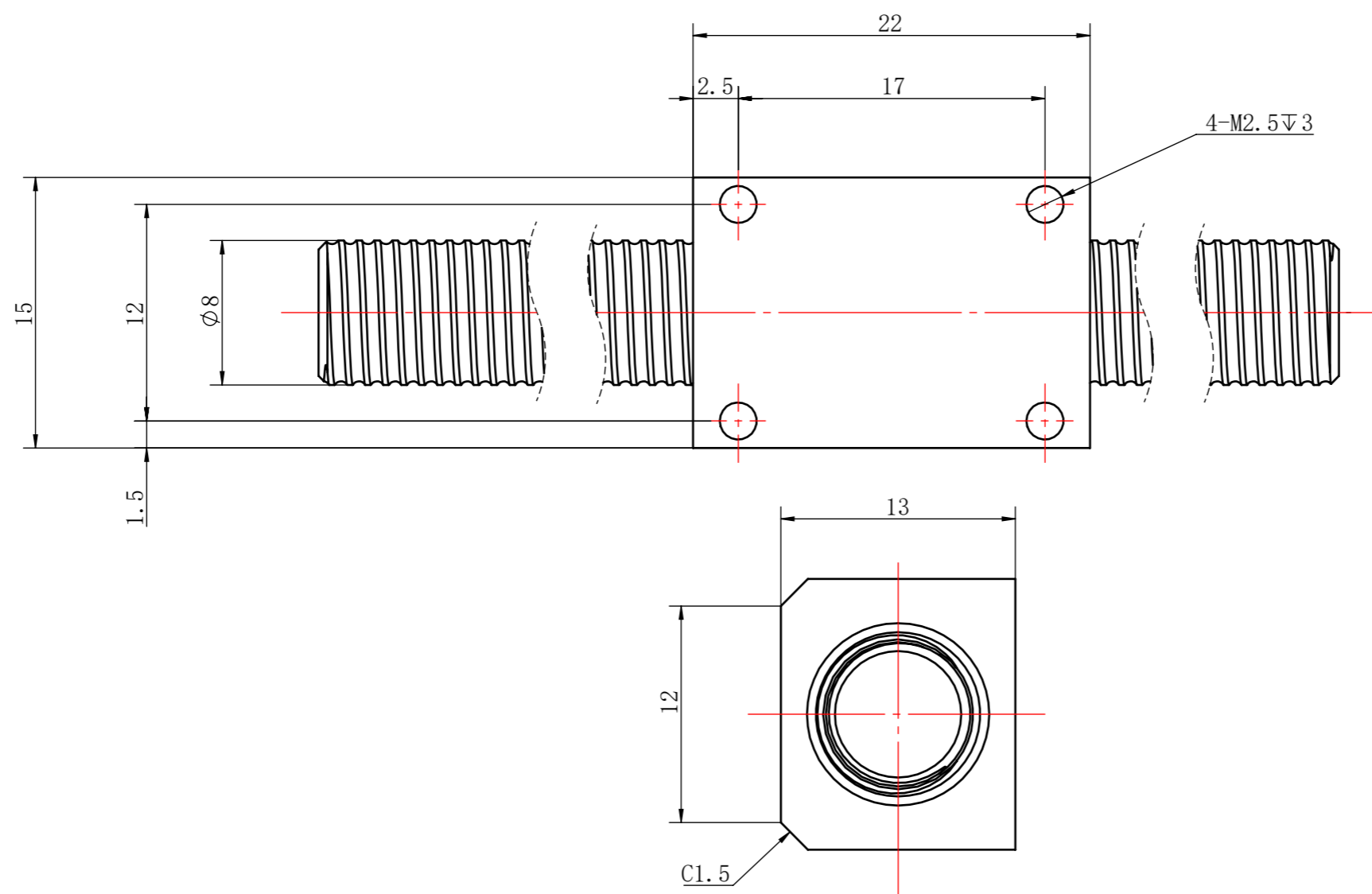
CHANGE

Revision

Date

Description

Approval



LINEAR		SPECIFICATION				CUSTOMER		
0.5~3	±0.1	B. C. D	Ø8.15	BALL SIZE	Ø0.8	C. MODLE		
>3~6	±0.1	SPACER BALL		LEAD	1	MODLE		
>6~30	±0.2	ALLOW ROTATION NUMBER		LEAD ANGLE		NAME		
>30~120	±0.3	LUBRICANT		NUMBER OF TURNS×ROWS		KBG0801		
>120~400	±0.5	O. C.	MAX. AXIAL Ca	THREAD DIRECTION/NUMBER OF THREAD		NAME		
>400~1000	±0.8		MAX. RPM	DYNAMIC Ca (N)		BALL SCREW		
>1000~2000	±1.2	L. A.		STATIC Coa (N)		WEIGHT	DESIGN	REV.
ANGULAR				PRELORD TORQUE		SCALE	CHECK	TOTAL:
~10	±1°			AXIAL PLAY		UNITS	RATIFY	PAGE:
>10~50	±30'			SCREW MATERIAL		mm		
>50~120	±20'			NUT MATERIAL				
>120~400	±10'	ACCURACY GRADE:		JIANGSU DINGS' INTELLIGENT CONTROL				

1

2

3

4

5

6

7

8