

1

2

3

4

5

6

7

8

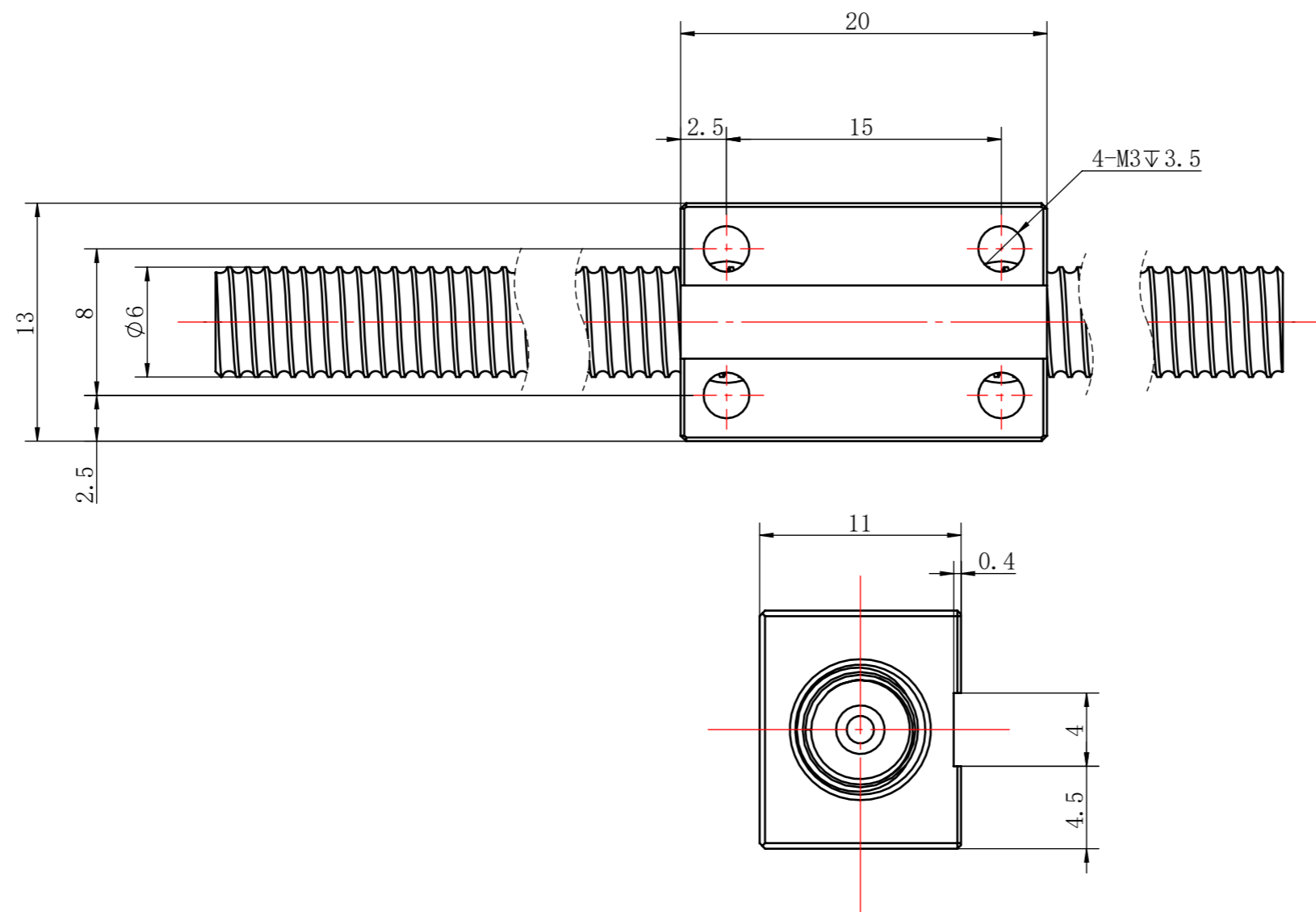
CHANGE

Revision

Date

Description

Approval



LINEAR		SPECIFICATION				CUSTOMER	
0.5~3	±0.1	B. C. D	φ6.15	BALL SIZE	φ0.8	C. MODLE	
>3~6	±0.1	SPACER BALL		LEAD	1	MODLE KBG0601	
>6~30	±0.2	ALLOW ROTATION NUMBER		LEAD ANGLE		NAME BALL SCREW	
>30~120	±0.3	LUBRICANT		NUMBER OF TURNSxROWS		WEIGHT	
>120~400	±0.5	O. C.	MAX. AXIAL Ca	THREAD DIRECTION/NUMBER OF THREAD		DESIGN	
>400~1000	±0.8		MAX. RPM			CHECK	
>1000~2000	±1.2	L. A.		T	DYNAMIC Ca (N)	REV.	
ANGULAR				ep	STATIC Coa (N)	TOTAL:	
~10	±1°			V_u	PRELORD TORQUE	PAGE:	
>10~50	±30'			V_300	AXIAL PLAY	UNITS mm	
>50~120	±20'			V_2π	SCREW MATERIAL	RATIFY	
>120~400	±10'	ACCURACY GRADE:		NUT MATERIAL		JIANGSU DINGS' INTELLIGENT CONTROL	

1

2

3

4

5

6

7

8