

1

2

3

4

5

6

7

8

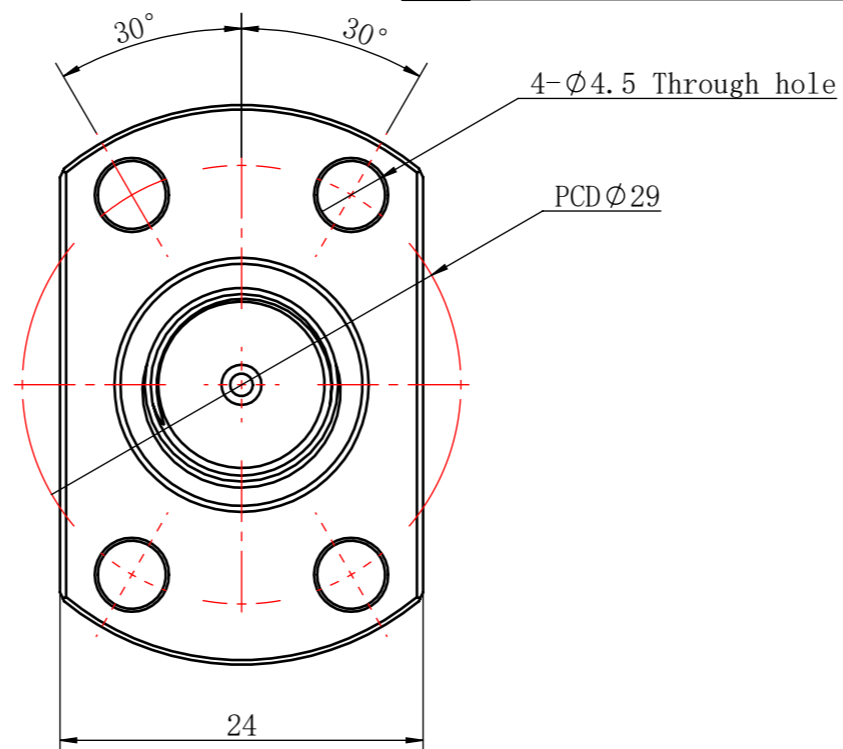
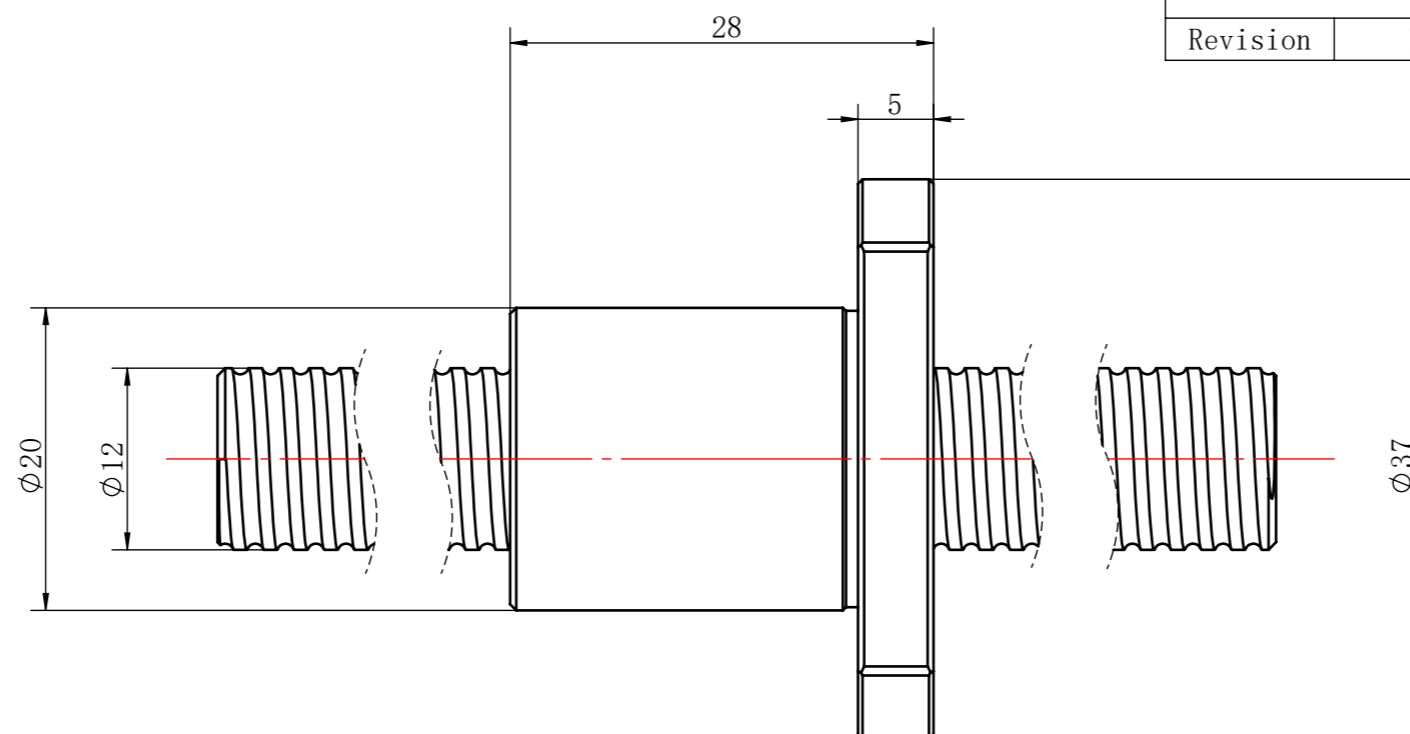
CHANGE

Revision

Date

Description

Approval



| LINEAR     |      | SPECIFICATION         |               |                                   |                                    | CUSTOMER        |        |  |
|------------|------|-----------------------|---------------|-----------------------------------|------------------------------------|-----------------|--------|--|
| 0.5~3      | ±0.1 | B. C. D               | Ø12.4         | BALL SIZE                         | Ø1.2                               | C. MODLE        |        |  |
| >3~6       | ±0.1 | SPACER BALL           |               | LEAD                              | 2                                  | MODLE FBG1202   |        |  |
| >6~30      | ±0.2 | ALLOW ROTATION NUMBER |               | LEAD ANGLE                        |                                    | NAME BALL SCREW |        |  |
| >30~120    | ±0.3 | LUBRICANT             |               | NUMBER OF TURNSxROWS              |                                    | WEIGHT          |        |  |
| >120~400   | ±0.5 | O. C.                 | MAX. AXIAL Ca | THREAD DIRECTION/NUMBER OF THREAD |                                    | DESIGN          |        |  |
| >400~1000  | ±0.8 |                       | MAX. RPM      |                                   | DYNAMIC Ca (N)                     | REV.            |        |  |
| >1000~2000 | ±1.2 | L. A.                 |               | T                                 | PRELORD TORQUE                     | SCALE           |        |  |
| ANGULAR    |      |                       |               | ep                                | Vu                                 | AXIAL PLAY      | CHECK  |  |
| ~10        | ±1°  |                       |               | V300                              | V300                               | SCREW MATERIAL  | TOTAL: |  |
| >10~50     | ±30' |                       |               | V2π                               | V2π                                | NUT MATERIAL    | PAGE:  |  |
| >50~120    | ±20' |                       |               |                                   |                                    |                 |        |  |
| >120~400   | ±10' | ACCURACY GRADE:       |               |                                   | JIANGSU DINGS' INTELLIGENT CONTROL |                 |        |  |

1

2

3

4

5

6

7

8