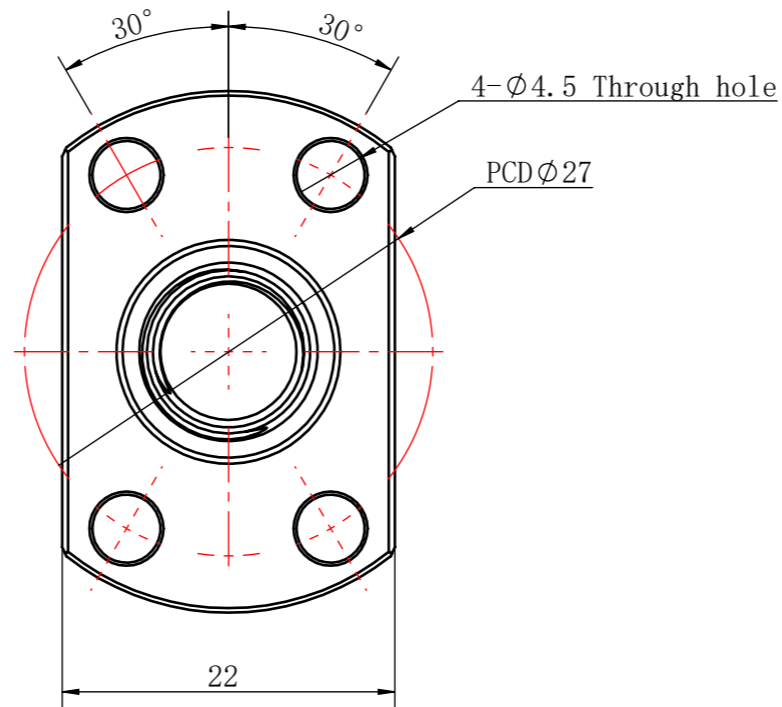
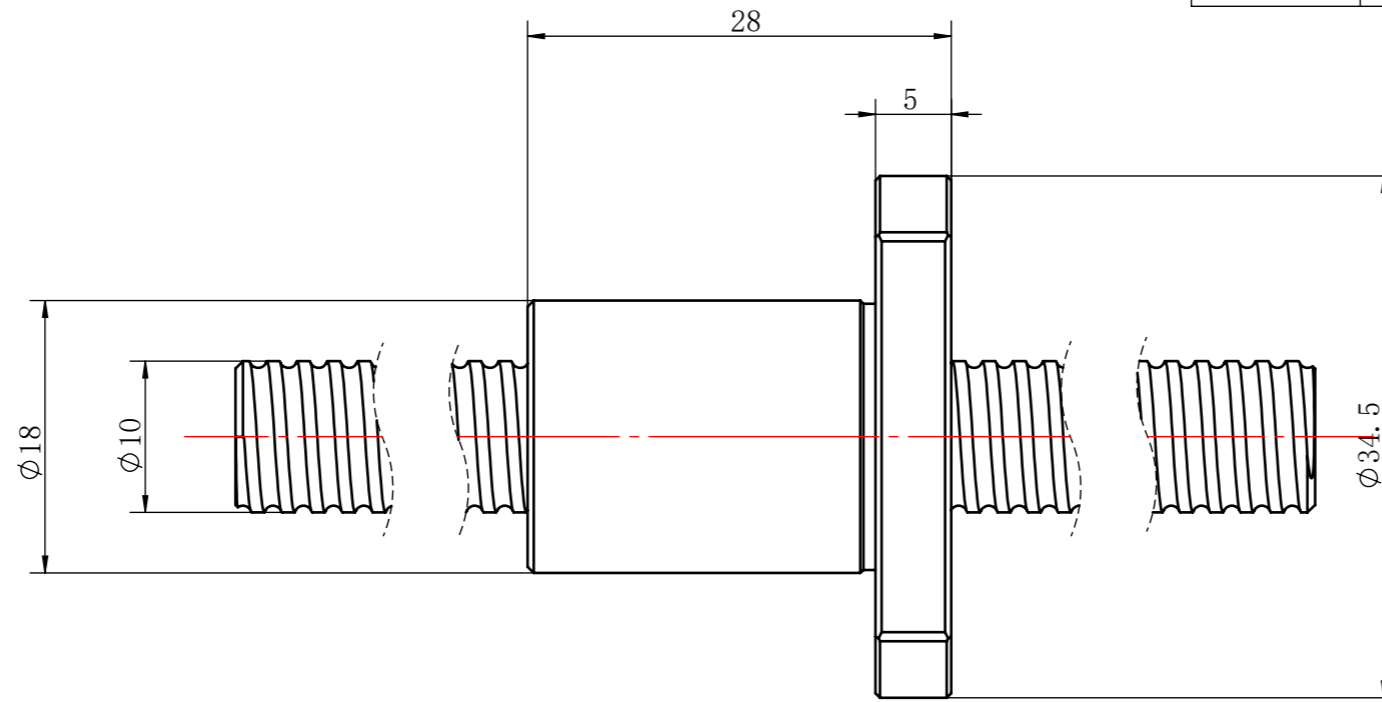


CHANGE

Revision	Date	Description	Approval
----------	------	-------------	----------



LINEAR		SPECIFICATION				CUSTOMER		
0.5~3	±0.1	B. C. D	Ø10.4	BALL SIZE	Ø1.2	C. MODLE		
>3~6	±0.1	SPACER BALL		LEAD	2	MODLE FBG1002		
>6~30	±0.2	ALLOW ROTATION NUMBER		LEAD ANGLE		NAME BALL SCREW		
>30~120	±0.3	LUBRICANT		NUMBER OF TURNSxROWS		WEIGHT		
>120~400	±0.5	O. C.	MAX. AXIAL Ca	THREAD DIRECTION/NUMBER OF THREAD	DYNAMIC Ca (N)	DESIGN		
>400~1000	±0.8		MAX. RPM			STATIC Coa (N)	REV.	
>1000~2000	±1.2	L. A.			PRELORD TORQUE	SCALE	CHECK	TOTAL:
ANGULAR					AXIAL PLAY	UNITS	RATIFY	PAGE:
~10	±1°				SCREW MATERIAL	JIANGSU DINGS' INTELLIGENT CONTROL		
>10~50	±30'				NUT MATERIAL			
>50~120	±20'				ACCURACY GRADE:			
>120~400	±10'							