

1

2

3

4

5

6

7

8

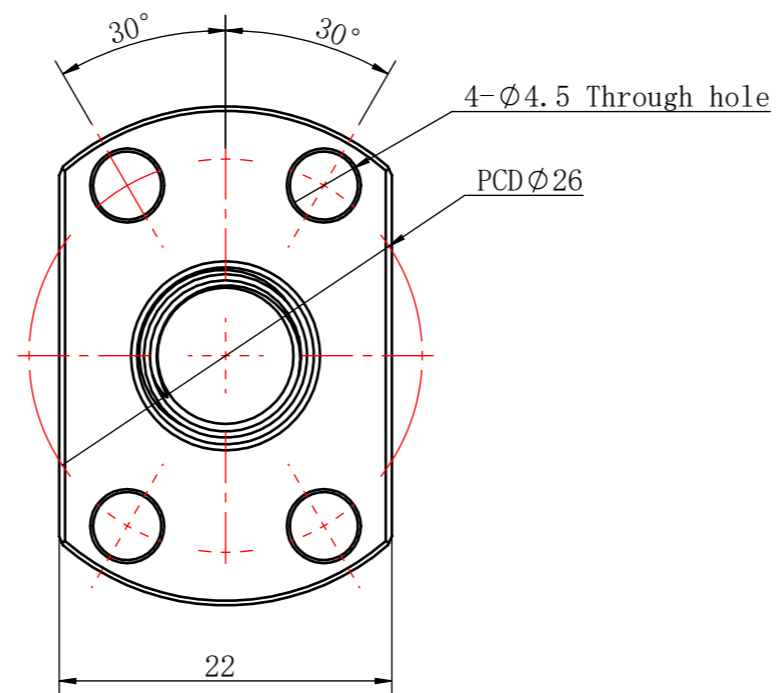
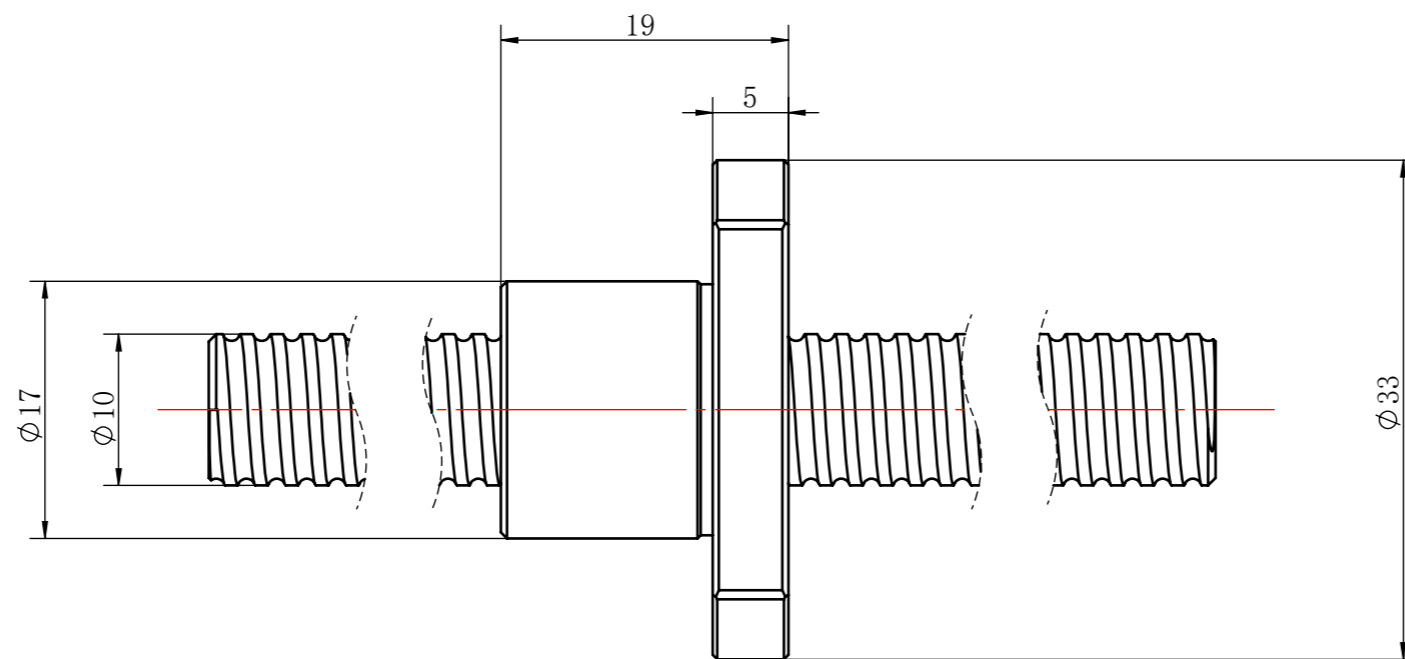
CHANGE

Revision

Date

Description

Approval



LINEAR		SPECIFICATION				CUSTOMER			
0.5~3	±0.1	B. C. D	Ø10.4	BALL SIZE	Ø1.2	C. MODLE			
>3~6	±0.1	SPACER BALL		LEAD	2	MODLE FBG1002			
>6~30	±0.2	ALLOW ROTATION NUMBER		LEAD ANGLE		NAME BALL SCREW			
>30~120	±0.3	LUBRICANT		NUMBER OF TURNSxROWS		WEIGHT			
>120~400	±0.5	O. C.	MAX. AXIAL Ca	THREAD DIRECTION/NUMBER OF THREAD		DESIGN			
>400~1000	±0.8		MAX. RPM		DYNAMIC Ca (N)		REV.		
>1000~2000	±1.2	L. A.		STATIC Coa (N)		SCALE			
ANGULAR				PRELORD TORQUE		AXIAL PLAY		CHECK	
~10	±1°			SCREW MATERIAL		NUT MATERIAL		TOTAL:	
>10~50	±30'							PAGE:	
>50~120	±20'	ACCURACY GRADE:				UNITS mm			
>120~400	±10'					RATIFY			
						JIANGSU DINGS' INTELLIGENT CONTROL			

1

2

3

4

5

6

7

8