

1

2

3

4

5

6

7

8

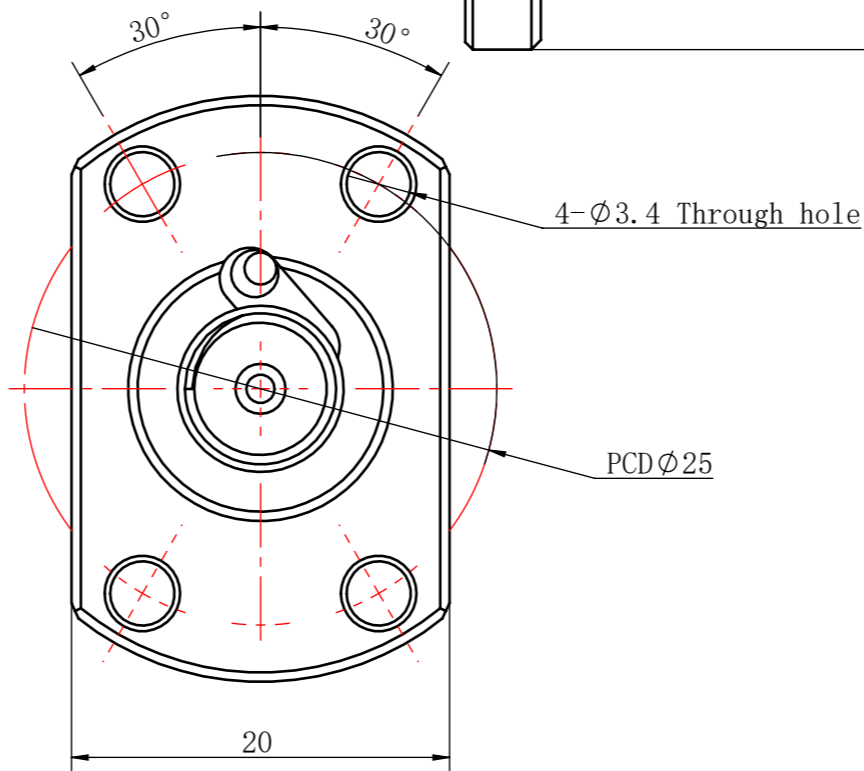
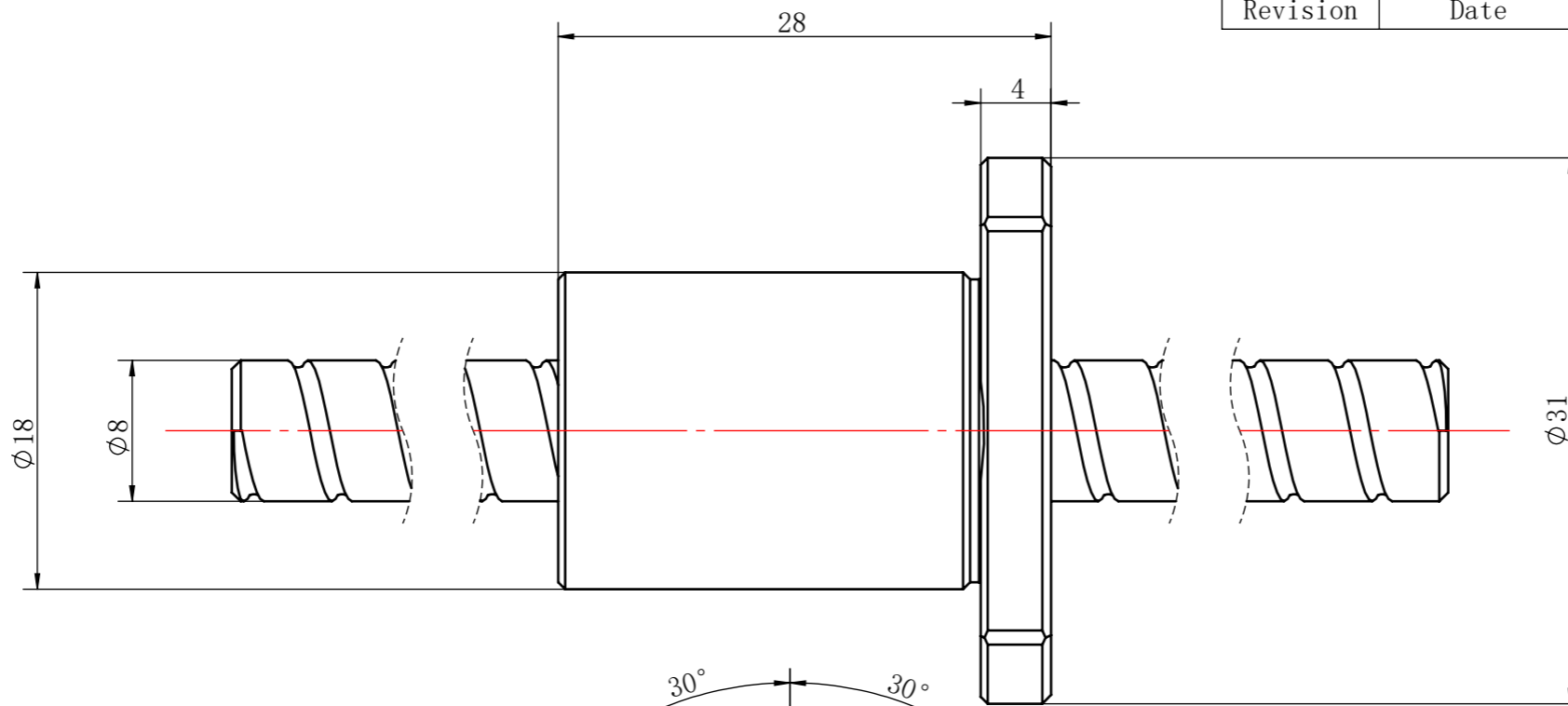
CHANGE

Revision

Date

Description

Approval



LINEAR		SPECIFICATION				CUSTOMER		
0.5~3	±0.1	B. C. D	Ø8.4	BALL SIZE	Ø1.588	C. MODLE		
>3~6	±0.1	SPACER BALL		LEAD	5	MODLE FBG0805		
>6~30	±0.2	ALLOW ROTATION NUMBER		LEAD ANGLE		NAME BALL SCREW		
>30~120	±0.3	LUBRICANT		NUMBER OF TURNSxROWS		WEIGHT		
>120~400	±0.5	O. C.	MAX. AXIAL Ca	THREAD DIRECTION/NUMBER OF THREAD		SCALE	DESIGN	REV.
>400~1000	±0.8		MAX. RPM		DYNAMIC Ca (N)		CHECK	TOTAL:
>1000~2000	±1.2			STATIC Coa (N)		UNITS	RATIFY	PAGE:
ANGULAR		L. A.		T	PRELORD TORQUE	JIANGSU DINGS' INTELLIGENT CONTROL		
$\pm 1^\circ$				ep	AXIAL PLAY			
>10~50	±30'			V _u	SCREW MATERIAL			
>50~120	±20'			V ₃₀₀	NUT MATERIAL			
>120~400	±10'	ACCURACY GRADE:		V _{2π}				

1

2

3

4

5

6

7

8