

1

2

3

4

5

6

7

8

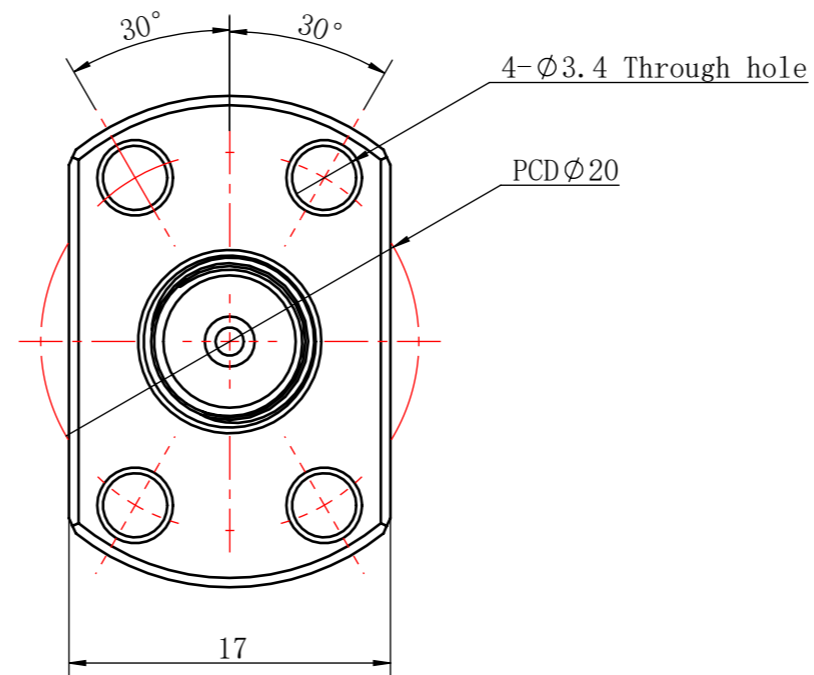
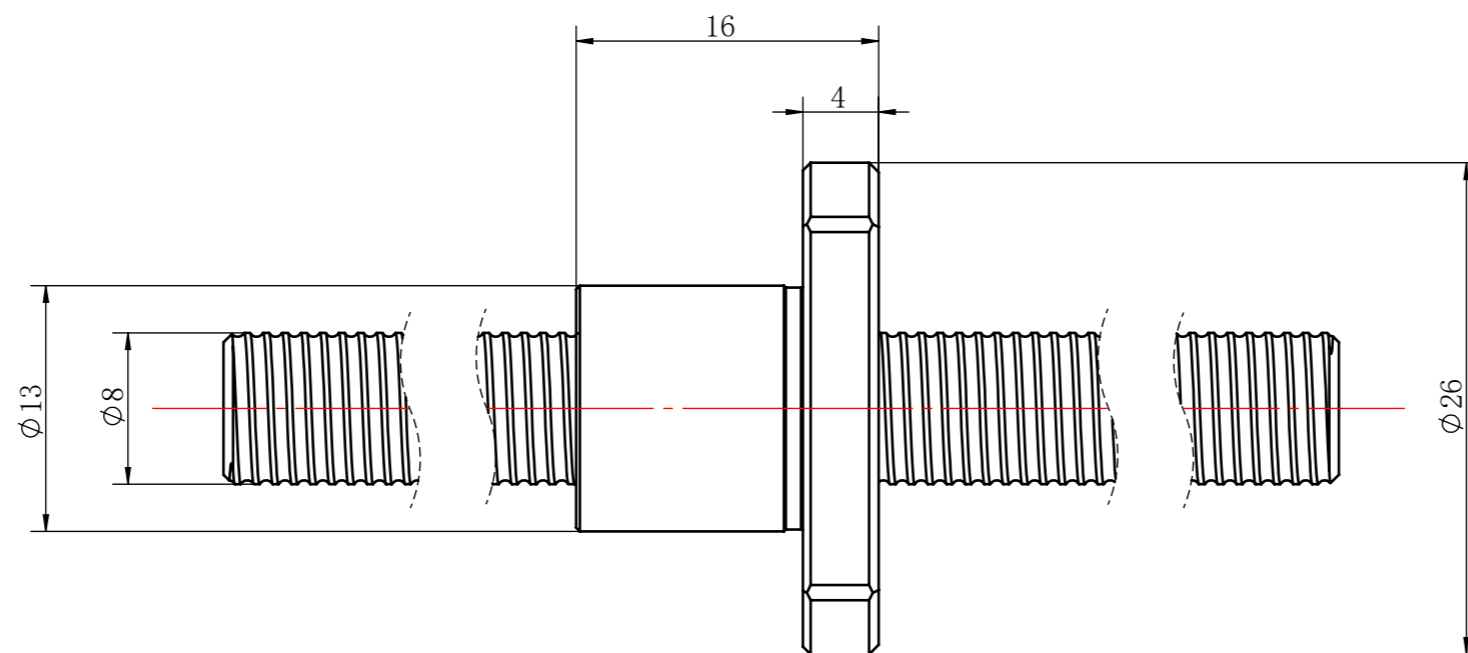
CHANGE

Revision

Date

Description

Approval



LINEAR		SPECIFICATION				CUSTOMER				
0.5~3	±0.1	B. C. D	Ø8.15	BALL SIZE	Ø0.8	C. MODLE				
>3~6	±0.1	SPACER BALL		LEAD	1	MODLE FBG0801				
>6~30	±0.2	ALLOW ROTATION NUMBER		LEAD ANGLE		NAME BALL SCREW				
>30~120	±0.3	LUBRICANT		NUMBER OF TURNSxROWS		WEIGHT				
>120~400	±0.5	O. C.	MAX. AXIAL Ca	THREAD DIRECTION/NUMBER OF THREAD		DESIGN	REV.			
>400~1000	±0.8		MAX. RPM		DYNAMIC Ca (N)	SCALE	CHECK	TOTAL:		
>1000~2000	±1.2	L. A.		STATIC Coa (N)		UNITS	mm	RATIFY	PAGE:	
ANGULAR				TRAVEL ERROR	PRELORD TORQUE		JIANGSU DINGS' INTELLIGENT CONTROL			
~10	±1°			ep	AXIAL PLAY					
>10~50	±30'			V _u	SCREW MATERIAL					
>50~120	±20'	V ₃₀₀	NUT MATERIAL							
>120~400	±10'	V _{2π}	ACCURACY GRADE:							

1

2

3

4

5

6

7

8