

1

2

3

4

5

6

7

8

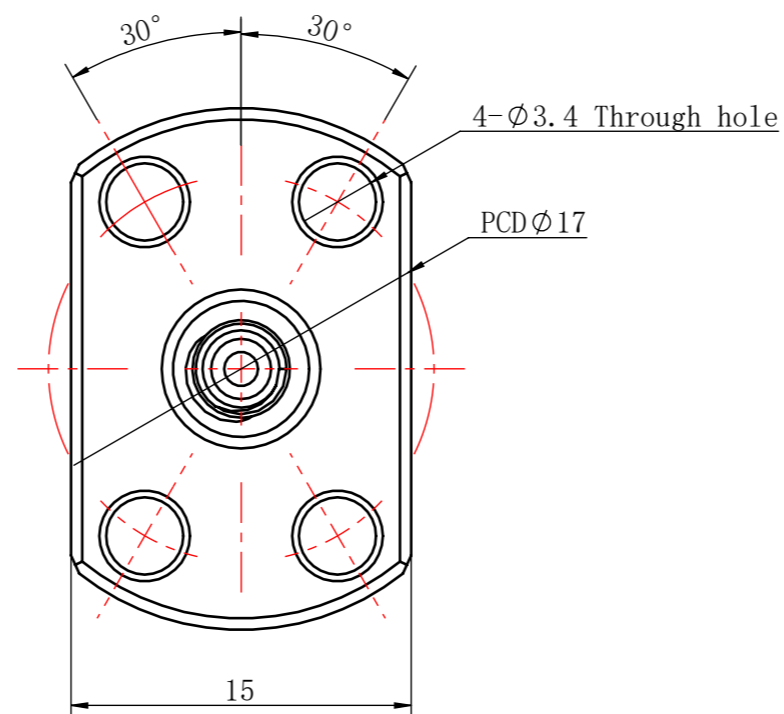
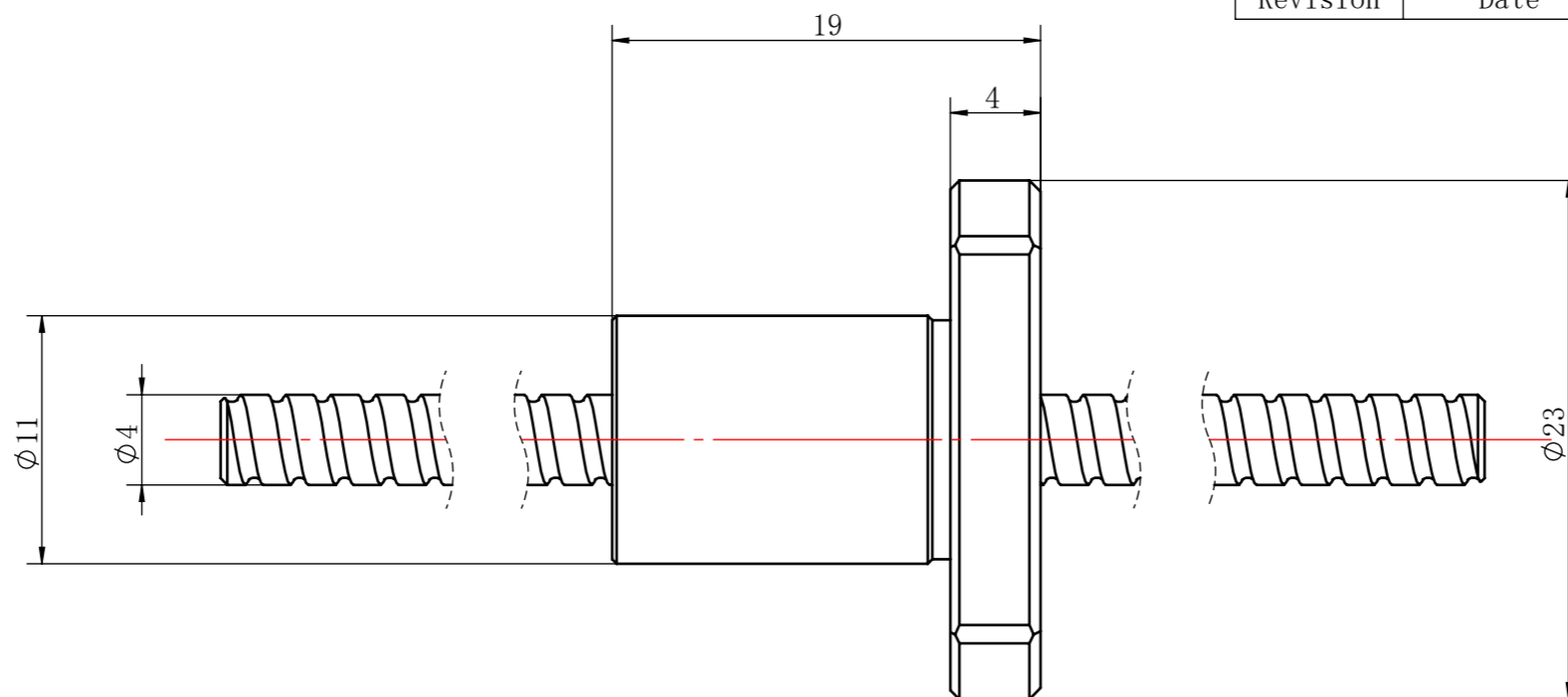
CHANGE

Revision

Date

Description

Approval



LINEAR		SPECIFICATION				CUSTOMER		
0.5~3	±0.1	B. C. D	Ø4.15	BALL SIZE	Ø0.8	C. MODLE		
>3~6	±0.1	SPACER BALL		LEAD	2	MODLE FBG0402		
>6~30	±0.2	ALLOW ROTATION NUMBER		LEAD ANGLE		NAME BALL SCREW		
>30~120	±0.3	LUBRICANT		NUMBER OF TURNSxROWS		WEIGHT		
>120~400	±0.5	O. C.	MAX. AXIAL Ca	THREAD DIRECTION/NUMBER OF THREAD		DESIGN		
>400~1000	±0.8		MAX. RPM			CHECK		
>1000~2000	±1.2	L. A.		T	DYNAMIC Ca (N)	REV.		
ANGULAR				ep	STATIC Coa (N)	SCALE		TOTAL:
~10	±1°			V_u	PRELORD TORQUE	UNITS		PAGE:
>10~50	±30'			V_300	AXIAL PLAY	mm		RATIFY
>50~120	±20'	V_2π	SCREW MATERIAL	JIANGSU DINGS' INTELLIGENT CONTROL				
>120~400	±10'	ACCURACY GRADE:						

1

2

3

4

5

6

7

8