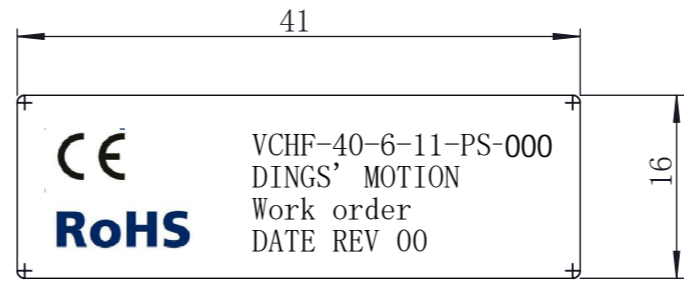
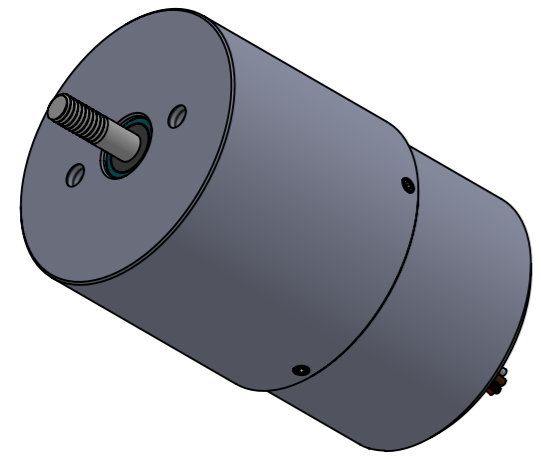
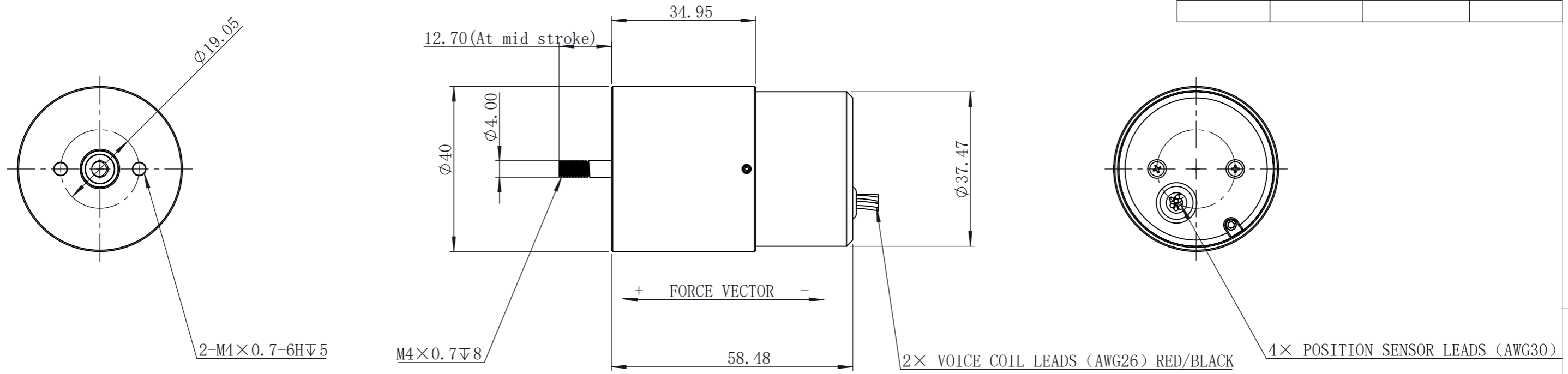


REVISION			
REV	DATE	DESCRIPTION	DRAWN BY



### TECHNICAL PARAMETERS

Stroke (行程)	mm	6
Continuous force (持续推力)	N	11
Peak force (最大推力)	N	40
Back EMF constant (反电动势常数)	V/m/s	11
Resistance (电阻)	$\Omega$	$5 \pm 10\% \Omega$
Inductance (电感)	mH	$1.32 \pm 20\% \text{mH}$
Continuous current (coil at 100 ° C) (持续电流)	A	1
Peak Current (最大电流)	A	4
Coil assembly mass (线圈重量)	g	48
Magnet mass (磁体重量)	g	244
Coil clearance (运动间隙)	mm	0.5
Insulation Class (绝缘等级)		B

POSITION SENSOR		
LEAD WIRE	IDENTIFICATION	DESCRIPTION
YELLOW	Vcc	INPUT VOLATAGE (5 VOLTS)
GRAY	GND	GROUND
BROWN	Vo	OUTPUT VOLTAGE
WHITE	Vpp	VOLTAGE FOR PROGRAMMING ONLY, NOT TO BE USED BY CUSTOMER

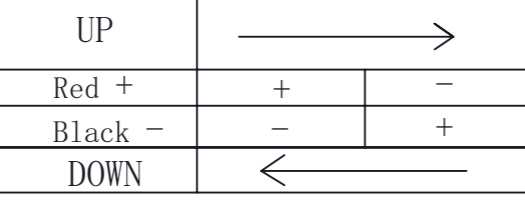
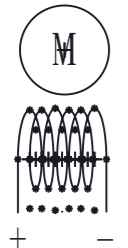
NOTES:  
1: A POSITIVE (+) VOLTAGE APPLIED TO THE RED LEAD WILL PRODUCE A FORCE ON THE COIL ASSEMBLY (SHAFT) IN THE POSITIVE (+) DIRECTION;

NOTICE TO PERSONS RECEIVING THIS DRAWING  
THIS DRAWING IS ONLY CONDITIONALLY ISSUED, AND FOR THE SOLE PURPOSE OF INFORMING LICENSEES AND ASSOCIATE CONTRACTORS OF DINGS' MOTION, AND VENDORS THERETO AND CUSTOMERS THEREOF, RECEIPT OR POCESSION THEREOF DOES NOT CONFER TO TRANSFER ANY RIGHT IN THE SUBJECT MATTER OF THE DRAWING. THE DESIGN, CONSTRUCTION, TECHNICAL INFORMATION AND ALL OTHER SUBJECT MATTER SHOWN IN THIS DRAWING ARE AND REMAIN, EXCEPT AS MAY BE OTHERWISE INDICATED BY WRITTEN NOTICE HEREON, THE EXCLUSIVE PROPERTY OF SAID CORPORATION. THIS DRAWING MAY BE REPRODUCED ONLY BY LICENSEES AND ASSOCIATE CONTRACTORS OF SAID CORPORATION AND ONLY FOR LICENSED MANUFACTURE, AND BY VENDORS MANUFACTURING FOR SAID CORPORATION AND ONLY FOR LICENSEES AND ASSOCIATE CONTRACTORS.

CUSTOMER

WIRING CHART

EXCITING SEQUENCE



UNLESS OTHERWISE SPECIFIED ALL DIMENSIONS ARE IN MILLIMETERS AND TOLERANCES ARE AS BELOW PER ISO2768-cK.

LINEAR		ANGLUR	
0~3	$\pm 0.2$	0~10	$\pm 1.5^\circ$
3~6	$\pm 0.5$	10~50	$\pm 1^\circ$
6~30	$\pm 0.8$	50~120	$\pm 30'$
30~120	$\pm 1.5$	120~400	$\pm 15'$

DRAWN	QHF	DATE	20250211
APPRVD		DATE	

MODEL VCHF-40-6-11-PS-000

**DINGS**

SIZE	A3	SHEET	1 OF 1
SCALE	Free	REV	00

