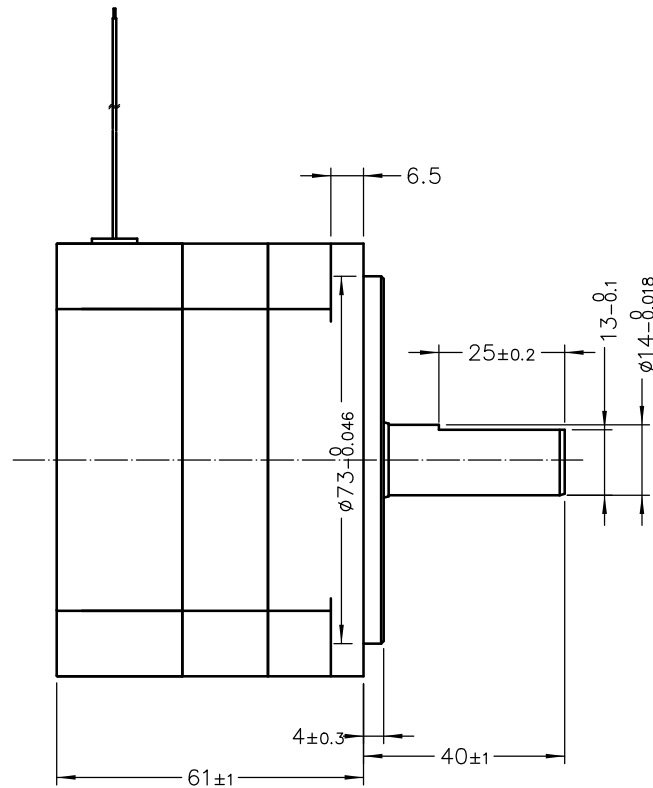
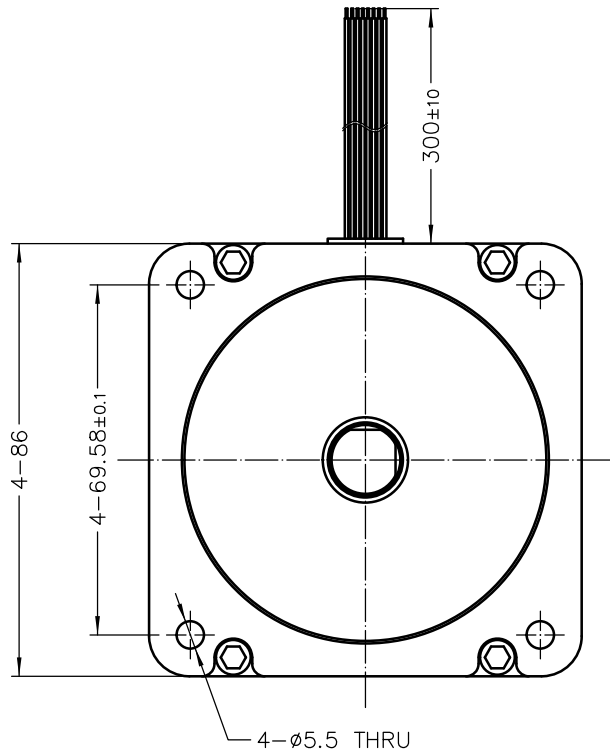


86ZWS61X-1
DINGS' MOTION DATE CODE

REV	DATE	DESCRIPTION	BY
00	20220105	INITIAL RELEASE	XU



REDUCTION RATIO	-	1	DIELECTRICAL STRENGTH	500V 1KHz 1s 1mA
POLE PAIRS	-	5	INSULATION RESISTANCE	100MΩm 20C
RATED CURRENT	A	4.7	MOUNTING TYPE	IM B5 V1 V3
RATED SPEED	RPM	3000	DUTY TYPE	S1
RATED TORQUE	N-m	0.5	COOLING TYPE	IC410
RATED POWER	W	157	PROTECTION GRADE	IP40
RATED VOLTAGE	VDC	48	INSULATION CLASS	B 130C

CUSTOMER							
U V W	UL 3265	PHASE U	YEL	UL 3265	+5 VDC	RED	
		PHASE V	GRN		HALL U	YEL	
	AWG 18	PHASE W	BLU	AWG 26	HALL V	GRN	
		GND	BLK		HALL W	BLU	

THIS DRAWING IS ONLY CONDITIONALLY ISSUED, AND FOR THE SOLE PURPOSE OF INFORMING LICENSEES AND ASSOCIATE CONTRACTORS OF DINGS' MOTION, AND VENDORS THEREOF AND CUSTOMERS THEREOF, RECEIPT OR POSSESSION THEREOF DOES NOT CONFER TO TRANSFER ANY RIGHT IN THE SUBJECT MATTER OF THE DRAWING, THE DESIGN, CONSTRUCTION, TECHNICAL INFORMATION AND ALL OTHER SUBJECT MATTER IN THIS DRAWING ARE AND REMAIN, EXCEPT AS MAY BE OTHERWISE INDICATED BY WRITTEN NOTICE HEREON, THE EXCLUSIVE PROPERTY OF SAID CORPORATION. THIS DRAWING MAY BE REPRODUCED ONLY BY LICENSEES AND ASSOCIATE CONTRACTORS OF SAID CORPORATION AND ONLY FOR LICENSED MANUFACTURE, AND BY VENDORS MANUFACTURING FOR SAID CORPORATION AND ONLY FOR LICENSEES AND ASSOCIATE CONTRACTORS.

UNLESS OTHERWISE SPECIFIED ALL DIMENSIONS ARE IN MILLIMETERS AND TOLERANCES ARE AS BELOW

LINEAR		ANGULAR	
0 - 3	±0.2	0 - 10	±1.5'
3 - 6	±0.5	10 - 50	±1'
6 - 30	±1	50 - 120	±0.5'
30 - 120	±2	120 - 400	±0.25'

DRWN XU DATE 20220105
APRV DATE

86ZWS61X-1

DINGS' 鼎智

SIZE A4
SCALE 1:1.5