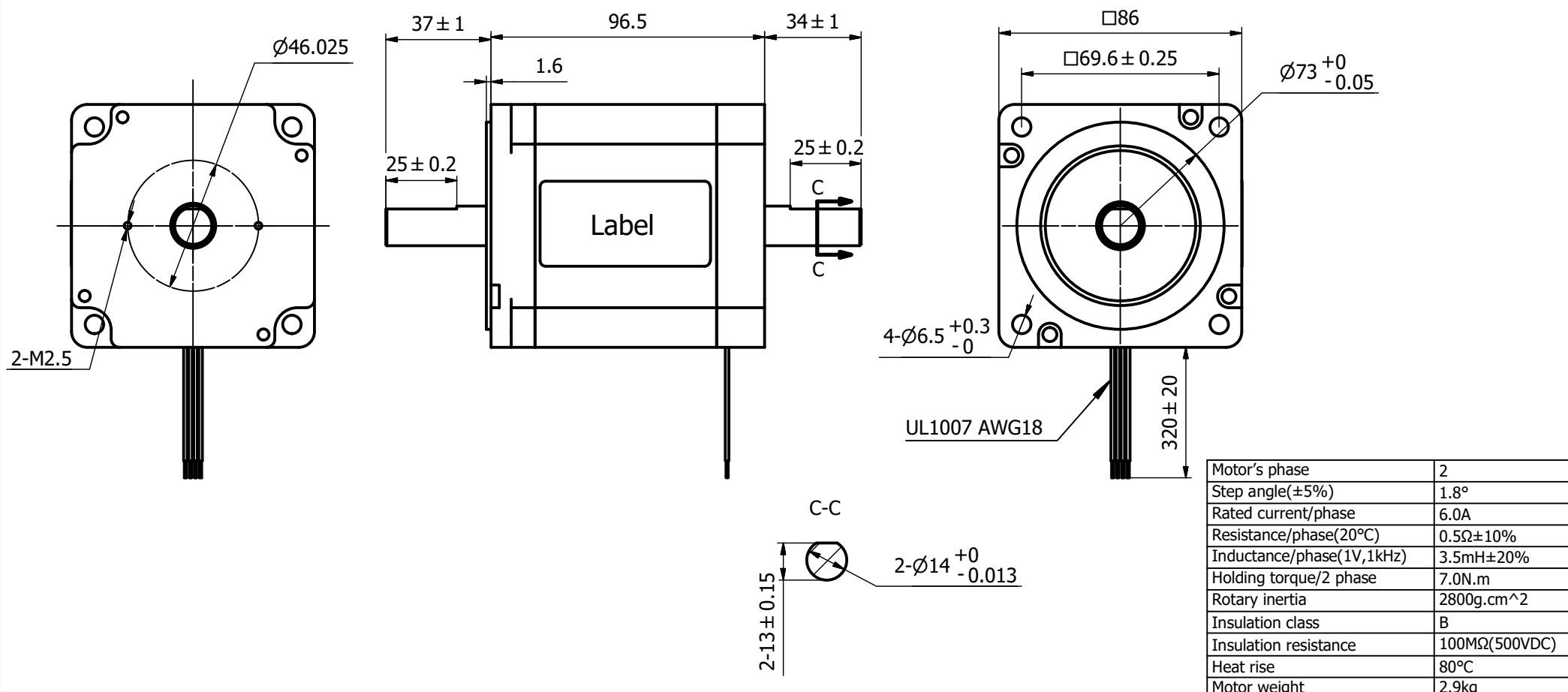


CE
RoHS

34H2098-600-4BL
DINGS' MOTION
DATE

REVISION			
REV.	DATE	DESCRIPTION	DRAWN BY



Motor's phase	2
Step angle(±5%)	1.8°
Rated current/phase	6.0A
Resistance/phase(20°C)	0.5Ω±10%
Inductance/phase(1V,1kHz)	3.5mH±20%
Holding torque/2 phase	7.0N.m
Rotary inertia	2800g.cm ²
Insulation class	B
Insulation resistance	100MΩ(500VDC)
Heat rise	80°C
Motor weight	2.9kg

CUSTOMER		NOTICE TO PERSONS RECEIVING THIS DRAWING										
WIRING CHART 		EXCITATION SEQUENCE CW → BLK A+ + - GRN A- - + RED B+ + - BLU B- - + CCW ←				UNLESS OTHERWISE SPECIFIED ALL DIMENSIONS ARE IN MILLIMETERS AND TOLERANCES ARE AS BELOW PER ISO2768-ck.				DRAWN Long DATE 2022/6/16		
						LINEAR 0~3 ±0.2 3~6 ±0.5 6~30 ±0.8 30~120 ±1.5		ANGULAR 0~10 ±1.5° 10~50 ±1° 50~120 ±30' 120~400 ±15'		APPRVD DATE		
										SCALE 1: 1 REV 00		