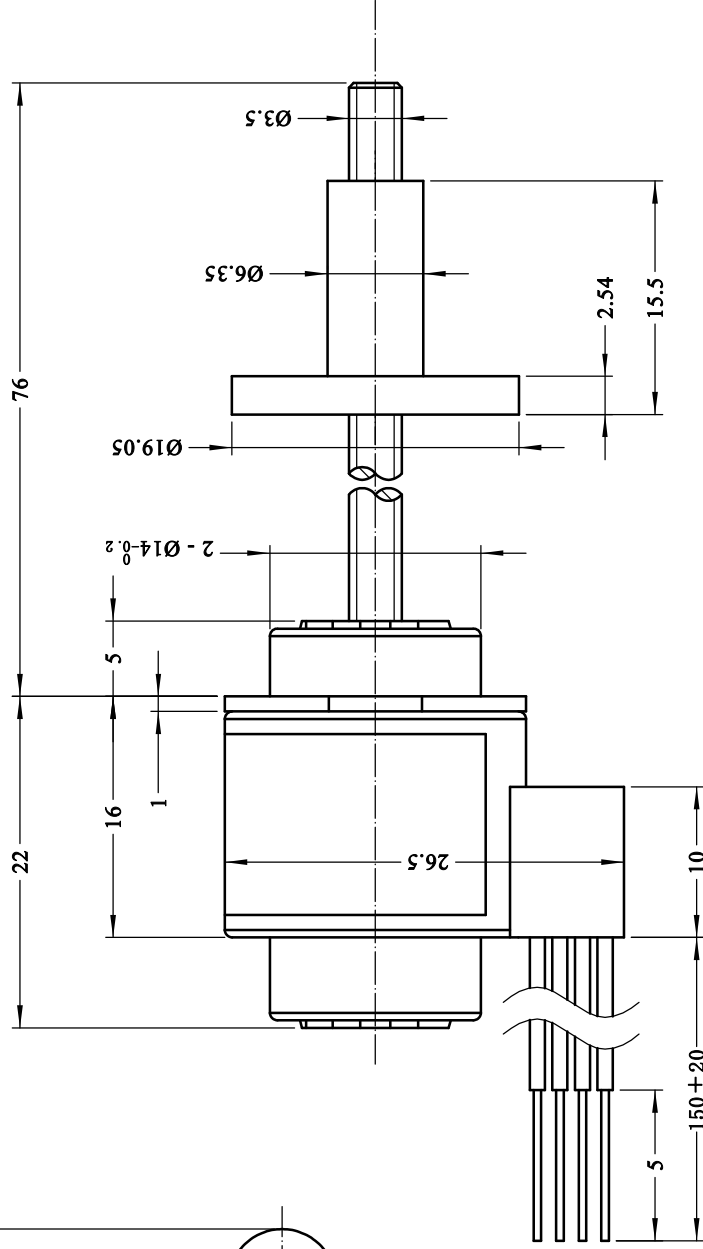
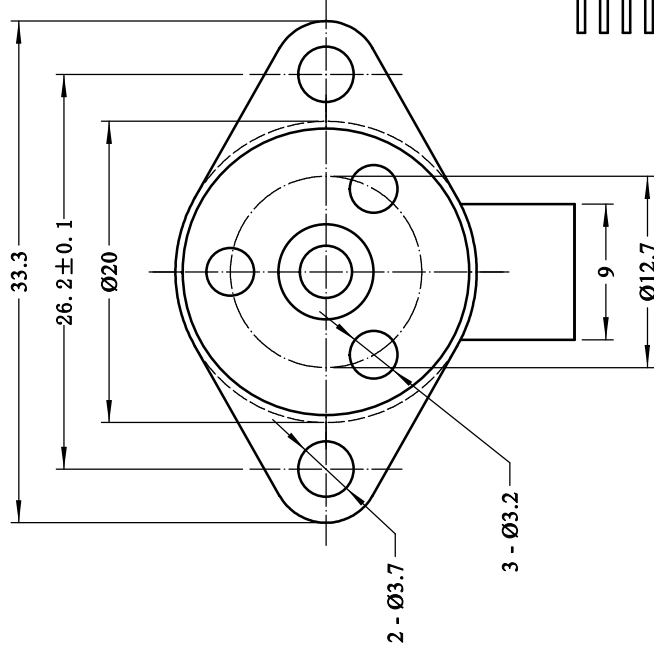


Rev	Zone	Description	By	Date
0		Initial release		
1				
2				



WIRING CHART

		RETRACT					
		A	A'	B	B'	EXTENT	
UL1061	RED	+	-	-	+	-	
	BLACK	-	+	+	-	+	
28AWG	WHITE	-	-	+	+	-	
	GREEN	+	+	-	-	+	
	EXTENT	→					

EXCITING SEQUENCE

		DRAWN	HU	DATE
		APPRVD		DATE
		MODEL	E20PA	

NOTICE TO PERSONS RECEIVING THIS DRAWING

THIS DRAWING IS ONLY CONDITIONALLY ISSUED, AND FOR THE SOLE PURPOSE OF INFORMING LICENSEES AND ASSOCIATE CONTRACTORS OF DRUGS' MOTION, AND VENDORS THEREOF AND CUSTOMERS THEREOF, RECEIPT OR POSSESSION THEREOF DOES NOT CONFER TO TRANSFER ANY RIGHT IN THE SUBJECT MATTER OF THE DRAWING, THE DESIGN, CONSTRUCTION, TECHNICAL INFORMATION AND ALL OTHER SUBJECT MATTER SHOWN IN THIS DRAWING ARE AND REMAIN, EXCEPT AS MAY BE OTHERWISE INDICATED BY WRITTEN NOTICE HEREON, THE EXCLUSIVE PROPERTY OF SAID CORPORATION. THIS DRAWING MAY BE REPRODUCED ONLY BY LICENSEES AND ASSOCIATE CONTRACTORS OF SAID CORPORATION AND ONLY FOR LICENSED MANUFACTURE, AND BY VENDORS MANUFACTURING FOR SAID CORPORATION AND ONLY FOR LICENSEES AND ASSOCIATE CONTRACTORS.

ROHS		UNLESS OTHERWISE SPECIFIED	
ZINEAR	ANGULUR	TOLERANCES ARE IN MILLIMETERS AND BELOW PER ISO2768-MK	
0 ~ 3	±0.2	0 ~ 10	±1.5°
3 ~ 6	±0.5	10 ~ 50	±1°
6 ~ 30	±0.8	50 ~ 120	±30'
30 ~ 120	±1.5	120 ~ 400	±15'

SIZE	A4	SHEET	1 OF 1
SCALE	2:1	REV	0

© Warrington Whetley WPE&E, Inc