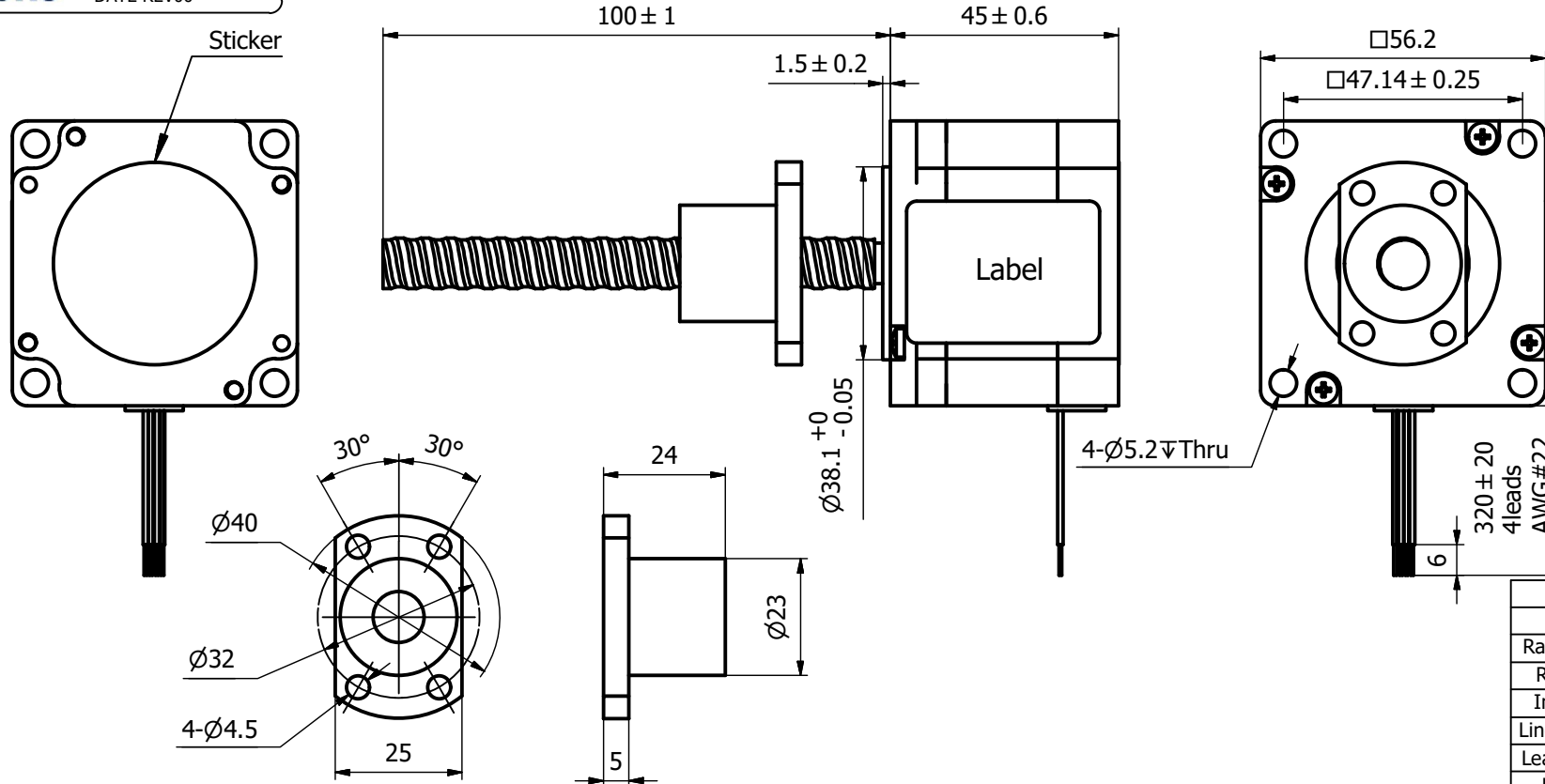


CE 23E2130BS24-100  
 DINGS' MOTION  
 RoHS Work order  
 DATE REV00

REVISION			
REV.	DATE	DESCRIPTION	DRAWN BY



Motor's phase	2
Step angle	1.8°
Rated current/phase	3.0 A
Resistance/phase	0.8Ω±10%
Inductance/phase	1.7 mH±20%
Linear travel per step	0.01mm/step
Lead screw diameter	Φ10mm
Lead screw lead	2mm
Grade	C7(KSS)
Insulation class	B
Insulation resistance	100MΩ(500VDC)
Heat rise	80°C
Motor weight	0.58 kg

**Notes,**  
 1.To maximize output force and life of linear actuators,  
 radial load on lead screws should be avoided or be kept at a minimum.

<b>CUSTOMER</b>		NOTICE TO PERSONS RECEIVING THIS DRAWING <small>THIS DRAWING IS ONLY CONDITIONALLY ISSUED, AND FOR THE SOLE PURPOSE OF INFORMING LICENSEES AND ASSOCIATE CONTRACTORS OF DINGS' MOTION, AND VENDORS THERETO AND CUSTOMERS THEREOF, RECEIPT OR POSSESSION THEREOF DOES NOT CONFER TO TRANSFER ANY RIGHT IN THE SUBJECT MATTER OF THE DRAWING. THE DESIGN, CONSTRUCTION, TECHNICAL INFORMATION AND ALL OTHER SUBJECT MATTER SHOWN IN THIS DRAWING ARE AND REMAIN, EXCEPT AS MAY BE OTHERWISE INDICATED BY WRITTEN NOTICE HEREON, THE EXCLUSIVE PROPERTY OF SAID CORPORATION. THIS DRAWING MAY BE REPRODUCED ONLY BY LICENSEES AND ASSOCIATE CONTRACTORS OF SAID CORPORATION AND ONLY FOR LICENSED MANUFACTURE, AND BY VENDORS MANUFACTURING FOR SAID CORPORATION AND ONLY FOR LICENSEES AND ASSOCIATE CONTRACTORS.</small>																																																											
<b>WIRING CHART</b>		<b>EXCITING SEQUENCE</b>				UNLESS OTHERWISE SPECIFIED ALL DIMENSIONS ARE IN MILLIMETERS AND TOLERANCES ARE AS BELOW PER ISO2768-ck.		DRAWN Kevin DATE 2022/12/28		<b>DINGS'</b>																																																			
		<table border="1"> <tr><td>CW</td><td colspan="4">→</td></tr> <tr><td>Red A+</td><td>+</td><td></td><td>-</td><td></td></tr> <tr><td>Red/wht A-</td><td>-</td><td></td><td>+</td><td></td></tr> <tr><td>Green B+</td><td></td><td>+</td><td></td><td>-</td></tr> <tr><td>Grn/wht B-</td><td></td><td>-</td><td></td><td>+</td></tr> <tr><td>CCW</td><td colspan="4">←</td></tr> </table>				CW	→					Red A+	+		-		Red/wht A-	-		+		Green B+		+		-	Grn/wht B-		-		+	CCW	←				<table border="1"> <tr><th colspan="2">LINEAR</th><th colspan="2">ANGULAR</th></tr> <tr><td>0~3</td><td>±0.2</td><td>0~10</td><td>±1.5°</td></tr> <tr><td>3~6</td><td>±0.5</td><td>10~50</td><td>±1°</td></tr> <tr><td>6~30</td><td>±0.8</td><td>50~120</td><td>±30'</td></tr> <tr><td>30~120</td><td>±1.5</td><td>120~400</td><td>±15'</td></tr> </table>		LINEAR		ANGULAR		0~3	±0.2	0~10	±1.5°	3~6	±0.5	10~50	±1°	6~30	±0.8	50~120	±30'	30~120	±1.5	120~400	±15'	APPRVD		DATE
CW	→																																																												
Red A+	+		-																																																										
Red/wht A-	-		+																																																										
Green B+		+		-																																																									
Grn/wht B-		-		+																																																									
CCW	←																																																												
LINEAR		ANGULAR																																																											
0~3	±0.2	0~10	±1.5°																																																										
3~6	±0.5	10~50	±1°																																																										
6~30	±0.8	50~120	±30'																																																										
30~120	±1.5	120~400	±15'																																																										
						MODEL 23E2130BS24-100		SIZE A3 SHEET 1 OF 1																																																					
						SCALE 1: 1 REV 00																																																							